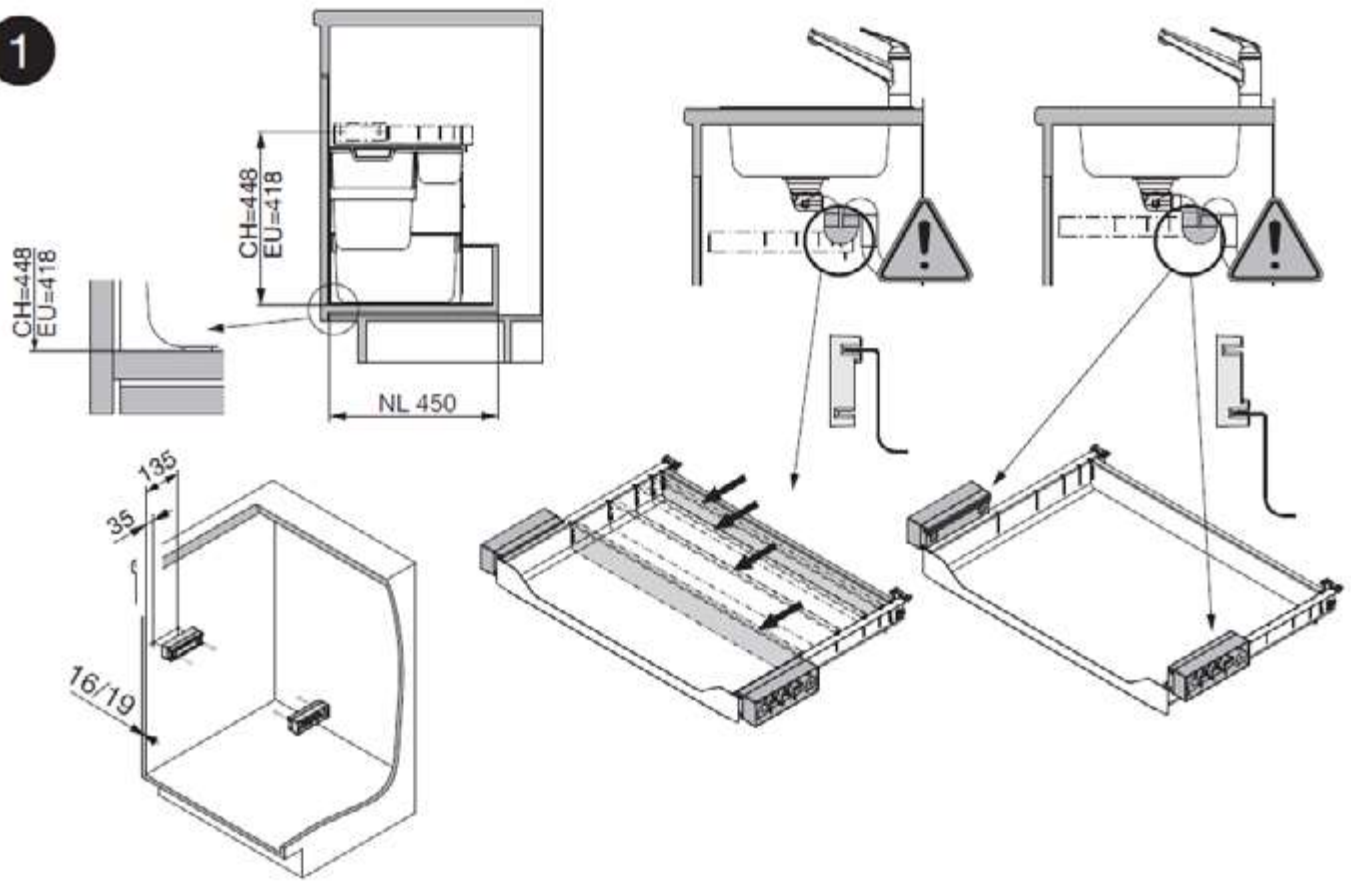


1



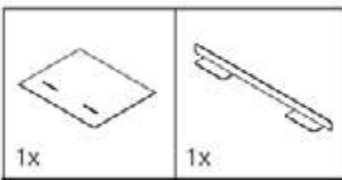
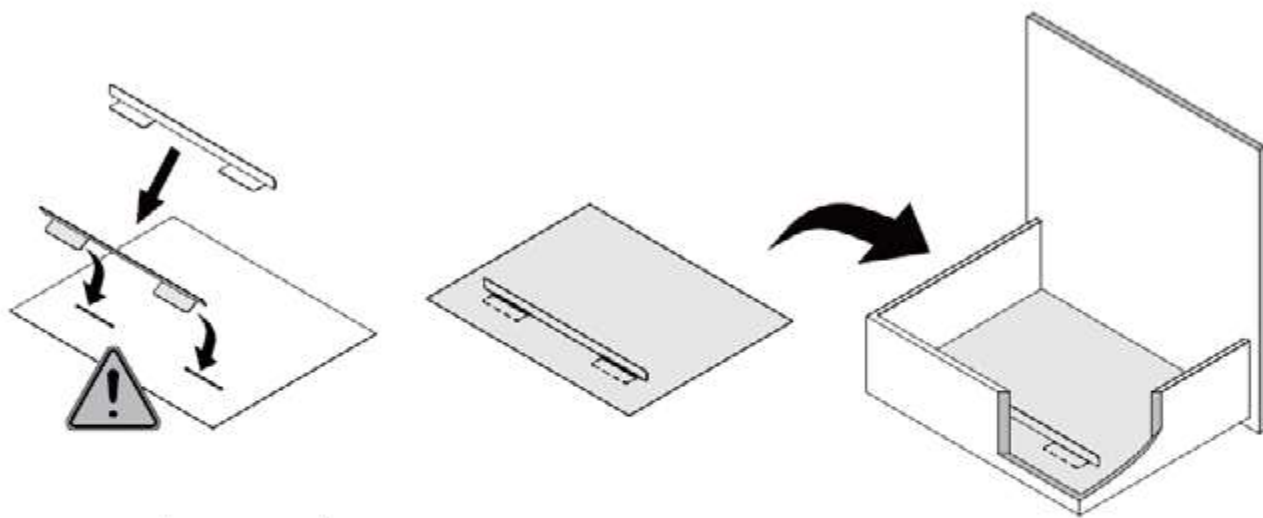
450				500			
				<input checked="" type="checkbox"/>			
4x 4,5x15				4x 4,5x40			
16	19	16	19	16	19	16	19
CH	EU	CH	EU	CH	EU	CH	EU

- 4x 4,5x15
- 4x 4,5x40
- 2x

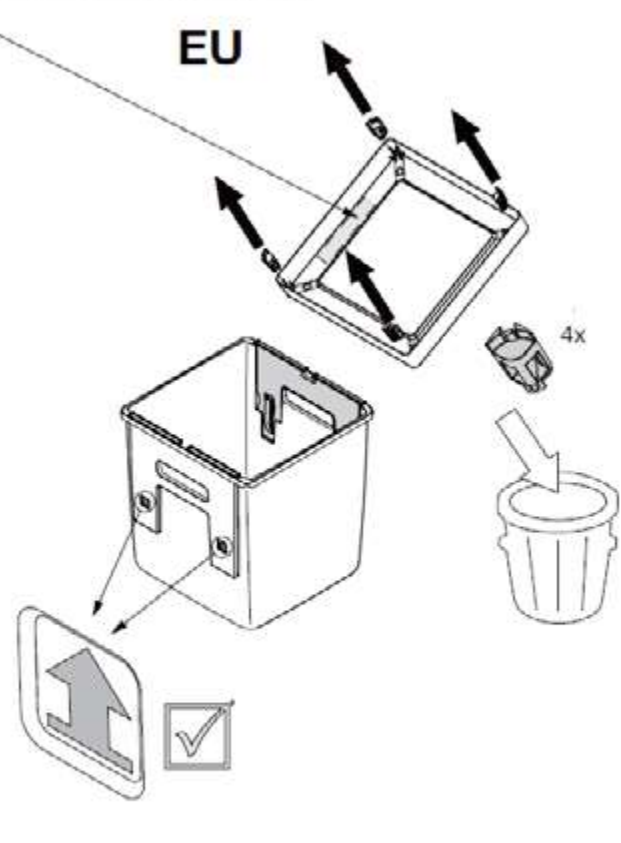
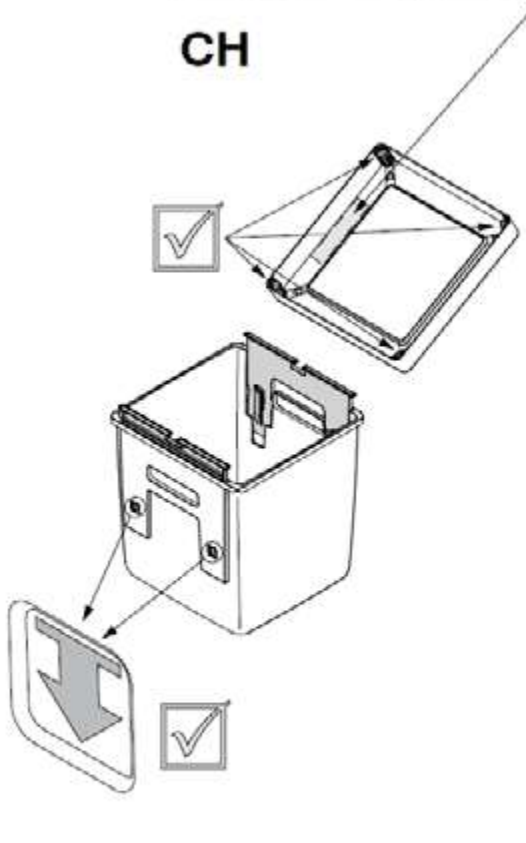
CH=448
EU=418

2

200.1669.xx / 200.1670.xx



3



950.0626.MA	Rev.
16.11.2015 hrm	
3/3	